



Air Purifiers

Technical Data



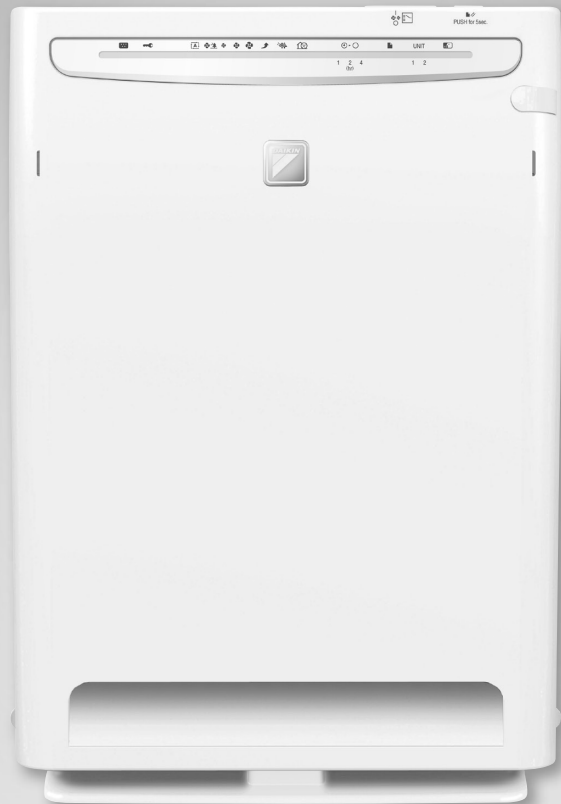
EEDEN11-700

MC70L



Air Purifiers

Technical Data



EEDEN11-700

MC70L

TABLE OF CONTENTS

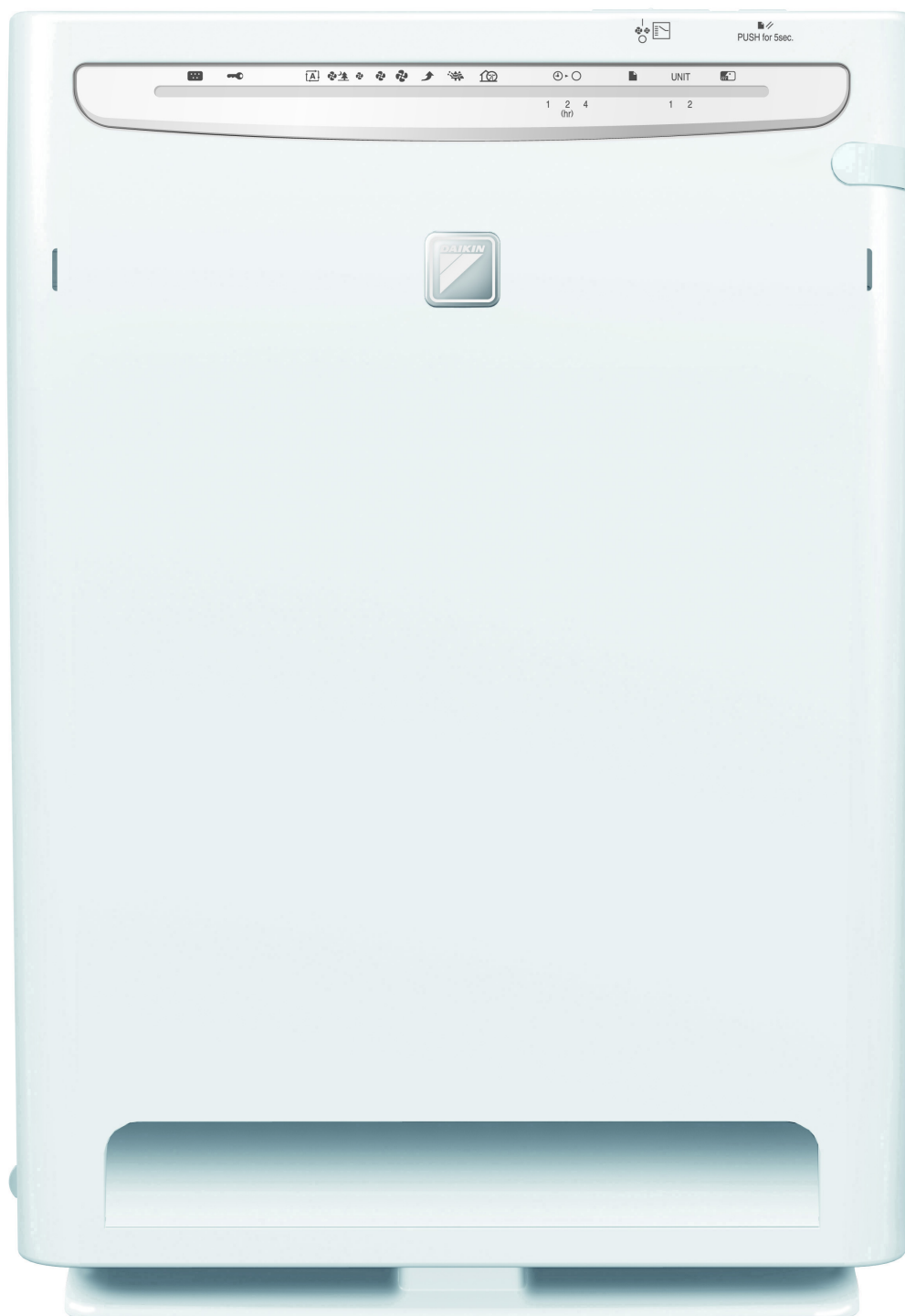
MC70L

1	Features	2
2	Specifications	3
	Technical Specifications	3
	Electrical Specifications	3
3	Dimensional drawings	4
	Dimensional Drawings	4
4	Wiring diagrams	5
	Wiring Diagrams - Single Phase	5

1 Features

- Powerful air purification increases indoor air quality with Daikin Streamer technology
- Large air flow: 420m³/h in turbo mode
- Whisper quiet operation: down to 16dBA sound pressure level
- Lightweight and compact
- Easy to clean flat panel

1



2

2 Specifications

2-1 Technical Specifications				MC70L	
Applicable room area			m ²	46	
Casing	Colour			White	
Dimensions	Unit	Height	mm	576	
		Width	mm	403	
		Depth	mm	241	
	Packed unit	Height	mm	615	
		Width	mm	445	
		Depth	mm	280	
Weight	Unit		kg	8.5	
	Packed unit		kg	11	
Fan	Type			Multi Blade Fan (Sirocco fan with shroud assembly)	
	Air flow rate	Air purifying operation	Turbo	m ³ /h	420
			High	m ³ /h	285
			Medium	m ³ /h	210
			Low	m ³ /h	130
			Silent	m ³ /h	55
Fan motor	Speed	Drive		Direct drive	
Sound power level	Air purifying operation	Turbo	dBA	63	
		High	dBA	54	
		Medium	dBA	47	
		Low	dBA	39	
		Silent	dBA	31	
Air filter				Polypropylene net	
Air purifying operation	Power input	Turbo	kW	0.065	
		H	kW	0.026	
		M	kW	0.016	
		L	kW	0.010	
		Silent	kW	0.007	
Deodorizing method				Flash streamer / Titanium apatite photocatalytic filter / Deodorising catalyst	
Bacteria filtering method				Flash streamer / Titanium apatite photocatalytic filter	
Dust collecting method				Plasma ionizer / Electrostatic dust collection filter	
Safety devices	Item	01	Safety switch (operation stops when the front panel opens)		
Sign	Item	01	Dust: 3 stages		
		02	Odour: 3 stages		
		03	Automatic operation (LL-H)		
		04	Airflow rate (LL/L/M/H)		
		05	Turbo mode (HH)		
		06	Anti-pollen mode		
		07	Sleep mode		
		08	Lock (Anti-tamper)		
		09	Off timer (1.2.4h)		
		10	Maintenance: Filter replacement		
		11	Maintenance: Cleaning of ionization/streamer		
		12	-		

Standard Accessories : Operation manual; Quantity : 1;

Standard Accessories : Photocatalytic pleated Filter; Quantity : 5;

Standard Accessories : Wireless remote control; Quantity : 1;

2-2 Electrical Specifications				MC70L
Power cord			m	2.0
Power supply	Phase/Frequency/Voltage		V	1~/50/60/220-240/220-230
Running current	Air purifying operation	Turbo	A	0.55
		High	A	0.25
		Medium	A	0.15
		Low	A	0.10
		Silent	A	0.08

Notes

(1) Sound power levels are the average of values measured at 1m away from the front, left, right and top of the unit (this is equal to the value in an anechoic chamber).

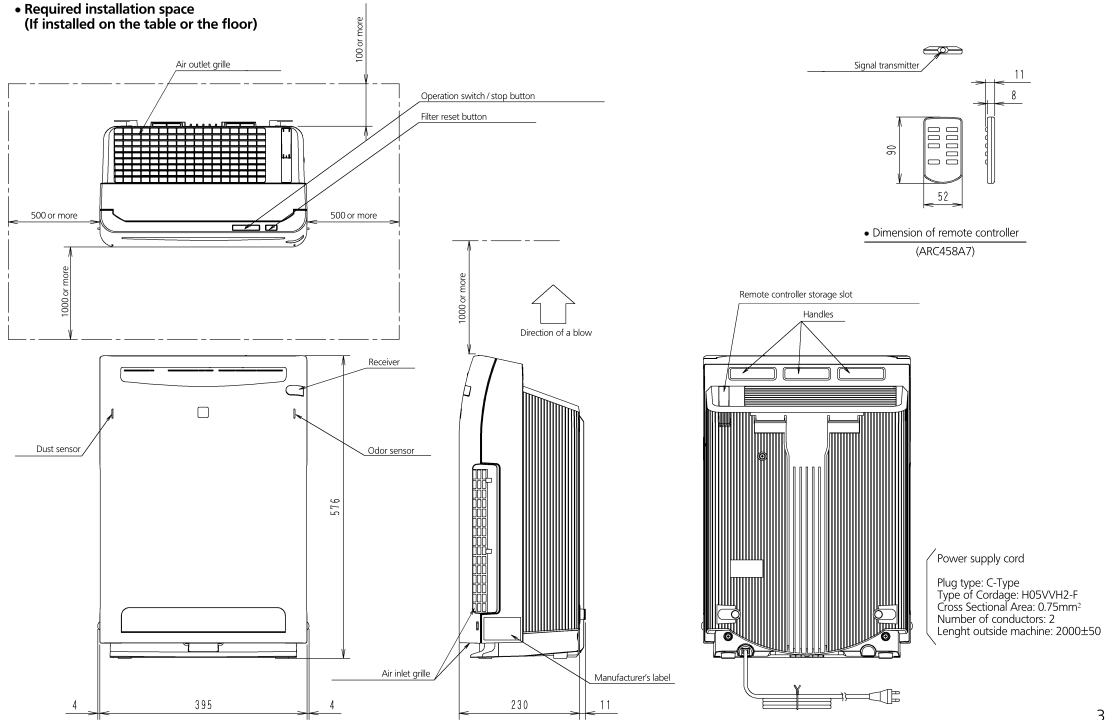
(2) Panel color: white; Display part color: silver

3 Dimensional drawings

3 - 1 Dimensional Drawings

MC70LVM

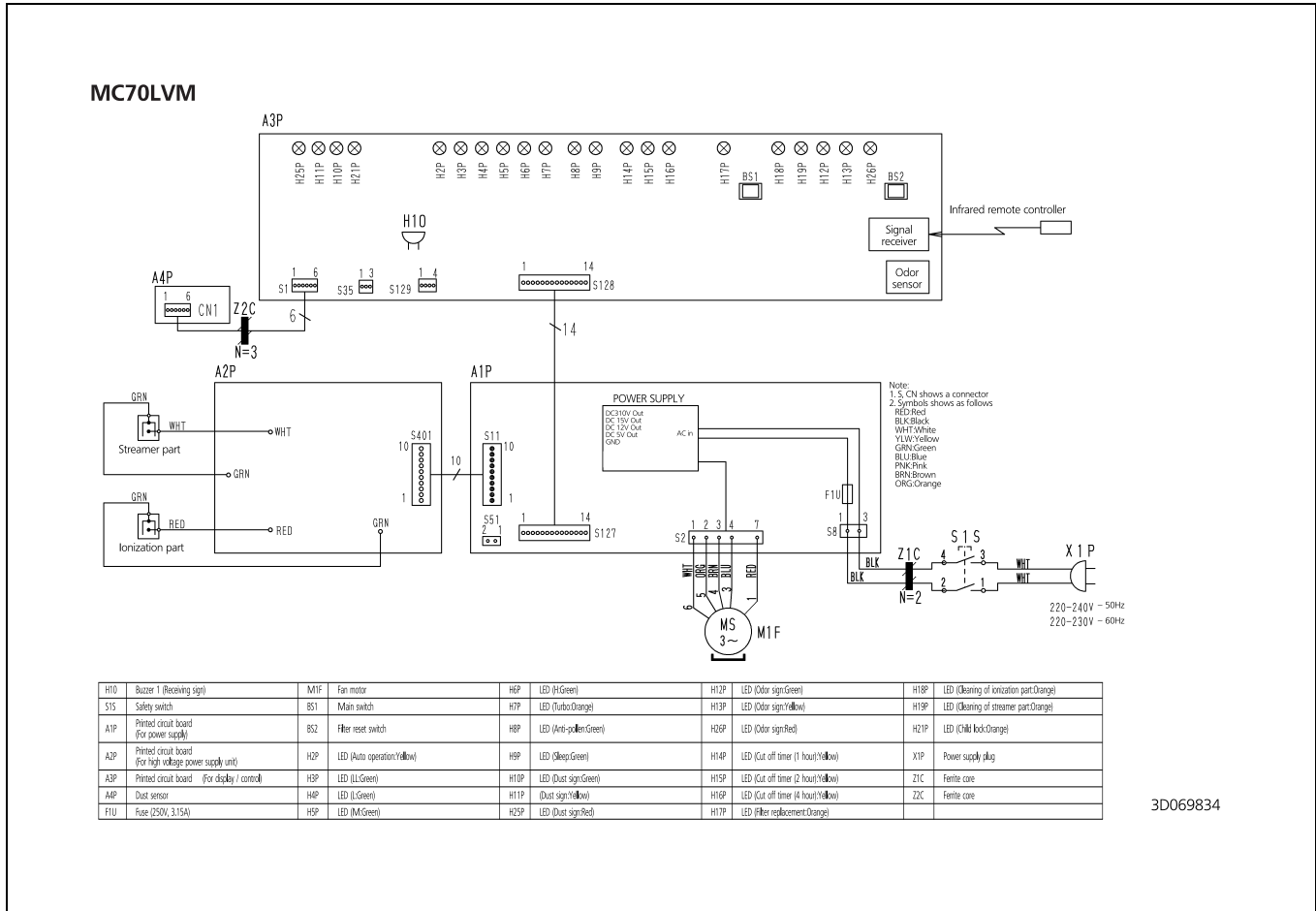
• Required installation space
(if installed on the table or the floor)



3D069833

4 Wiring diagrams

4 - 1 Wiring Diagrams - Single Phase



3D069834

In all of us,
a green heart



Daikin's unique position as a manufacturer of air conditioning equipment, compressors and refrigerants has led to its close involvement in environmental issues. For several years Daikin has had the intention to become a leader in the provision of products that have limited impact on the environment. This challenge demands the eco design and development of a wide range of products and an energy management system, resulting in energy conservation and a reduction of waste.



Daikin Europe NV, participates in the Eurovent Certification programme for Air conditioners (AC), Liquid Chilling Packages (LCP) and Fan coil units (FCU). Check ongoing validity of certificate online: www.eurovent-certification.com or using: www.certiflash.com

The present publication is drawn up by way of information only and does not constitute an offer binding upon Daikin Europe N.V. Daikin Europe N.V. has compiled the content of this publication to the best of its knowledge. No express or implied warranty is given for the completeness, accuracy, reliability or fitness for particular purpose of its content and the products and services presented therein. Specifications are subject to change without prior notice. Daikin Europe N.V. explicitly rejects any liability for any direct or indirect damage, in the broadest sense, arising from or related to the use and/or interpretation of this publication. All content is copyrighted by Daikin Europe N.V.



Daikin products are distributed by: